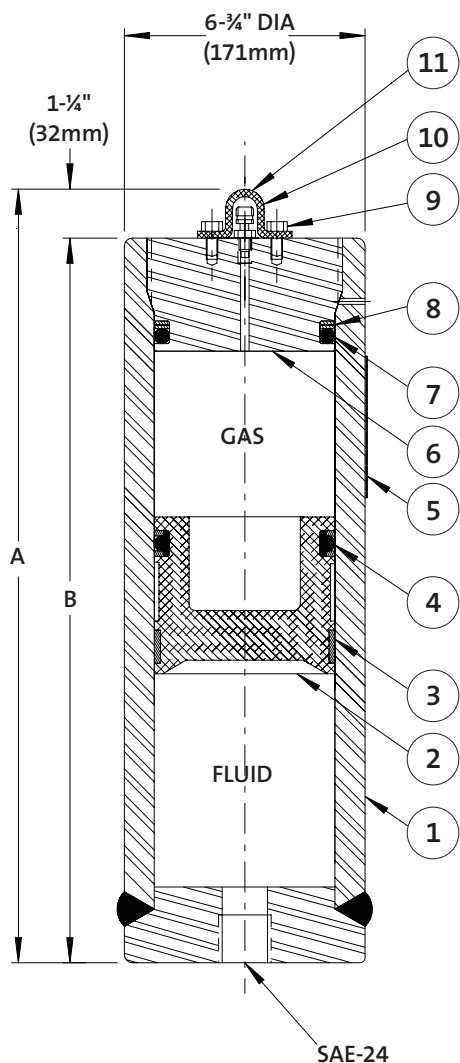


067AT20 PISTON ACCUMULATORS

Model Number	Gas Capacity		Fluid Capacity		Dry Weight		Dimension A		Dimension B	
	In. ³	Cm. ³	Gallon	Liters	Lbs.	Kg.	Inch	mm	Inch	mm
067AT20-8NA1F	247	4,048	1	4	56	25	16-3/4	425	15-1/2	394
067AT20-16NA1F	478	7,833	2	8	73	33	24-7/8	632	23-5/8	600
067AT20-24NA1F	709	11,618	3	12	91	41	33-1/8	841	31-7/8	810
067AT20-40NA1F	1,171	19,189	5	19	126	57	49-3/8	1,254	48-1/8	1,222



Maximum working pressure 2,000 psi (138 bar)
 Maximum proof pressure 3,000 psi (207 bar)
 Minimum burst pressure 8,000 psi (552 bar)

Operating temperature (BUNA/Nitrile)
 -20° to +200°F (-28° to 93°C)

TOBUL ACCUMULATOR INCORPORATED
www.fst.com

FREUDENBERG
 SEALING TECHNOLOGIES

Item Number	Part Number	Description	Number Required
X	HF48MA16-F	Head, Fluid, SAE-24, Welded to Cylinder	1
1	C54TA48-112AT	Cylinder, 067A20-8, 1 Gallon, 4 Liter	1
	C54TA48-177AT	Cylinder, 067A20-16, 2 Gallon, 8 Liter	
	C54TA48-243AT	Cylinder, 067A20-24, 3 Gallon, 12 Liter	
	C54TA48-373AT	Cylinder, 067A20-40, 5 Gallon, 20 Liter	
2	P48MH27T	Piston, Aluminum	1
3	SW.6T-8	Wearband, Piston, TEFLON	1
4	ST4N88Y	Seal, Piston, "T" Seal Assembly, BUNA/NYLON	1
5	NP-300	Nameplate	1
6	HG48MA17-1	HEAD, GAS, 1/2-20	1
7	SO4N88	Seal, O-Ring, Head, BUNA-N	1
8	SB4T88	Seal, Backup, TEFLON	1
9	B-.37CB16S6-B	Bolt, Carbon Steel, 3/8-16 x 3/4	2
10	3A-283	SS Valve, Gas, 3K, 1/2-20 UNF-3A	1
11	3A-754D	Guard, Valve, Aluminum	1

Optional porting/mounting/piston seal configurations available on request

Complete seal kits

New Part Number	Type	Old Part Number
SK067AT20-NT	BUNA-N	6.7A20-G40T-NST
SK067AT20-VT	FKM (VITON®)	6.7A20-G40T-ETT
SK067AT20-ET	EPR	6.7A20-G40T-HTT

Specify seal material by selecting appropriate material code: "N" = BUNA-N, "B" = BUTYL, "E" = EPR, "V" = FKM (Viton®)
 Optional porting available if required.