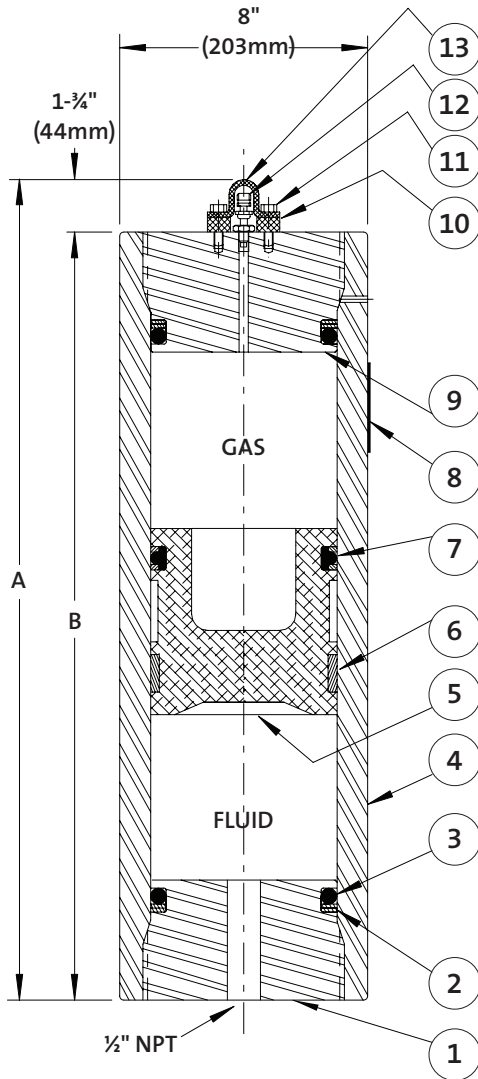


# 080A100 PISTON ACCUMULATORS

Model Number	Gas Capacity		Fluid Capacity		Dry Weight		Dimension A		Dimension B	
	In. <sup>3</sup>	Cm. <sup>3</sup>	Gallon	Liters	Lbs.	Kg.	Inch	mm	Inch	mm
080A100-4NG14	125	2048	0.5	2	225	102	20.375	518	18.625	473
080A100-8NG14	237	3877	1.0	4	312	142	28.75	730	27.0	686
080A100-16NG14	472	7728	2.0	8	496	225	46.375	1178	44.625	1133
080A100-24NG14	703	11524	3.0	11	678	308	63.75	1619	62.0	1575



Maximum working pressure 10,000 psi (690 bar)  
 Maximum proof pressure 15,000 psi (1,034 bar)  
 Minimum burst pressure 40,000 psi (2,758 bar)

Operating temperature (BUNA/Nitrile)  
 62° to +200°F (17° to 93°C)

TOBUL ACCUMULATOR INCORPORATED  
[www.fst.com](http://www.fst.com)

Item Number	Part Number	Description	Number Required
1	HF33WC28-4	Head, Fluid, 1/2"NPT	1
2	SB3T60	Seal, Backup, TEFLON	1
3	SO3N60	SEAL, O-Ring, BUNA-N	1
4	C64TD33-149	Cylinder, 080A100-4, 0.5 Gallon, 2 Liters	1
	C64TD33-216	Cylinder, 080A100-8, 1 Gallon, 4 Liters	
	C64TD33-357	Cylinder, 080A100-16, 2 Gallons, 8 Liters	
	C64TD33-494	Cylinder, 080A100-24, 3 Gallons, 11 Liters	
5	P33MH21T	Piston, Single Ring, Aluminum	1
6	SW.6T-8	Seal, BEARING, TEFLON	1
7	ST3N60Y	Seal, Piston, "T" Seal, BUNA-N/NYLON	1
8	NP-400	Nameplate	1
9	HG33WC28-1	Head, GAS, 1/2-20	2
10	3A-400	Spacer, GAS Valve	1
11	B-.37CB16S10-B	Bolt, Carbon Steel, 3/8-16 X 1-1/4"	1
12	3A-286H	SS Valve, GAS, 10K, 1/2-20 UNF-3A	1
13	3A-754D	Guard, Valve, Aluminum	1

Optional porting/mounting/piston seal configurations available on request

### Complete seal kits

New Part Number	Type	Old Part Number
SK080A100-NT	BUNA-N	8A100-G40T-NST
SK080A100-VT	FKM (VITON®)	8A100-G40T-EST
SK080A100-ET	EPR	8A100-G40T-HST